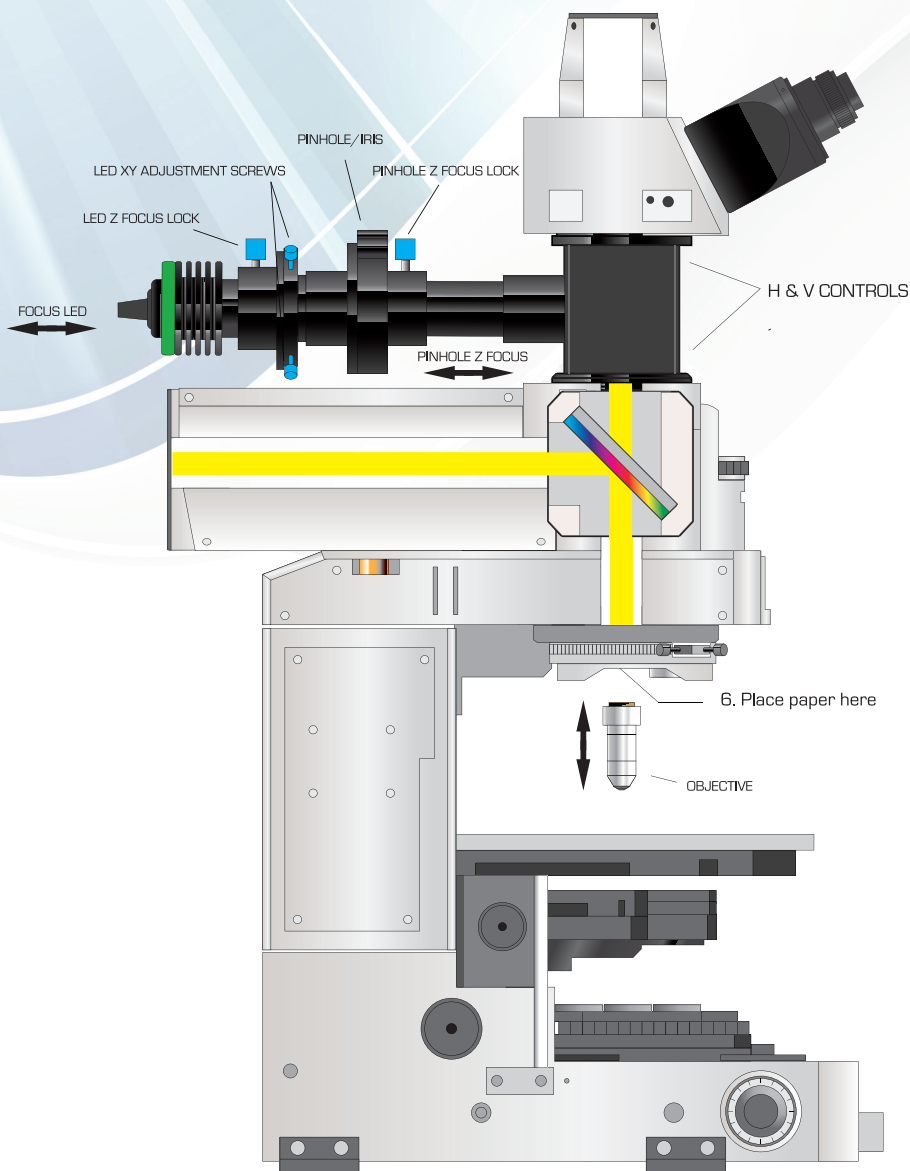


INFINITY CUBE

Set up guide

This Quick Start guide highlights the key controls, but please don't hesitate to contact us if you need further assistance. For the purposes of this and other Cairn documentation, Z refers to depth alignment along the optical axis, X refers to horizontal alignment and Y refers to vertical alignment.



1. Fit Infinity Cube to Microscope in line with epi - illuminator
2. Insert drop in Pinhole/Iris
3. Align pinhole to centre using H & V controls on front face of Infinity Cube
4. Remove Pinhole
5. Remove Objective from scope
6. Using a piece of white paper at the back focal plane of the objective loosen LED Z focus lock thumbscrew and move LED back and forth until focused. Lock off
7. Use LED XY adjustment screws to align element to centre
8. Replace Pinhole and Objective
9. Focus on sample
10. Using pinhole Z focus lock thumbscrew move Pinhole holder and LED holder assembly back and forth until pinhole becomes focused on a fluorescent marker. Lock off
11. Using H and V controls you can now move the Pinhole to desired location within field of view for imaging