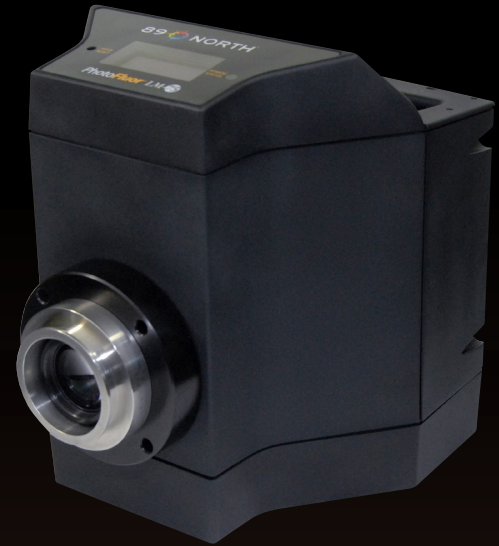


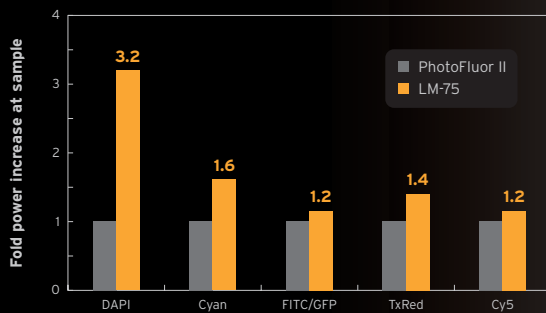
PhotoFluor® LM-75

World's first **direct-mounted** metal-halide light source for fluorescence imaging

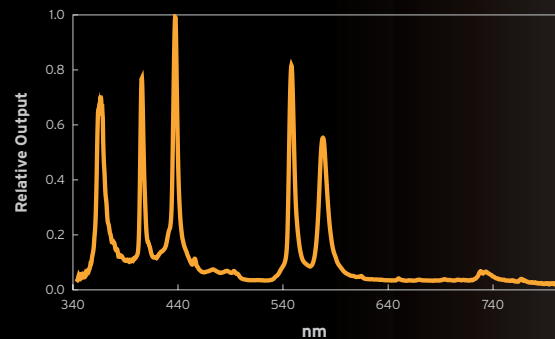


NO Liquid Light Guide Required

More power where it counts



Wide output spectrum similar to Hg



**Prealigned lamp
no user alignment**

**Lamp life up to 2000hrs
>7x mercury**

**Full output spectrum available
340-800nm**

**Built-in ballast = no external controller
less bench
space required**

**Low upfront cost +
long lamp life + no LLG =
lower overall
cost of ownership**

Physical Specifications

| | |
|------------------------------|---|
| Lamp House Dimensions | 6.7 in (170 mm) W 7.1 in (181 mm) D 7.5 in (191 mm) H |
| Lamp House Weight | 3.8 -5.2 lbs (1.7 - 2.4 kg) |

Environmental Specifications

| | |
|------------------------------|-----------------------------------|
| Operating Temperature | Normal: 10-28°C Safety: 5-40°C |
| Storage Temperature | -18-55°C |
| Operating Humidity | <95% non-condensing |

Electrical Requirements

| | |
|----------------------|-----------------------|
| Input Voltage | 100-240V AC, 50-60 Hz |
| Fuse | None |

Lamp Specifications

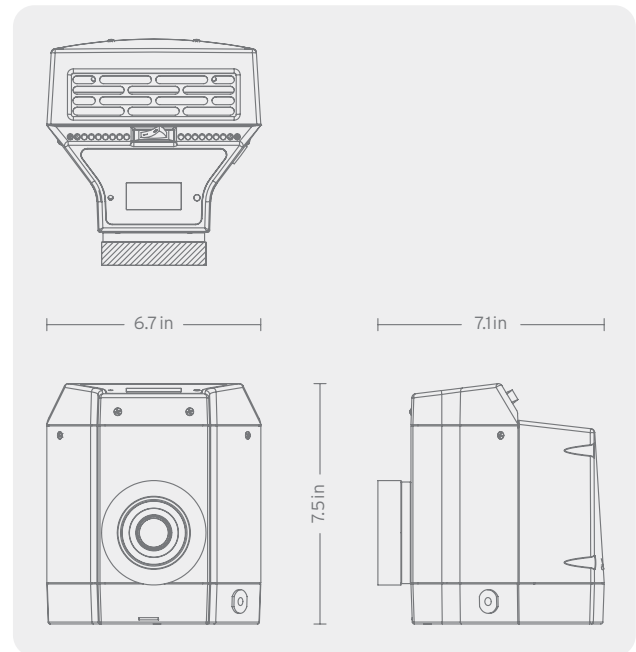
| | |
|---|--|
| Lamp Type | Metal halide |
| Power | 75W |
| Lifetime | 1500 hrs guaranteed, 2000 hrs typical |
| Warm Up Time | 3 minutes |
| Cool Down Time (firmware controlled) | 3 minutes |
| Output Stability | <1% RMS |
| Output Range | 340-800nm |

Microscope Attachment

| | |
|----------------------|--------------|
| Coupling Type | Direct mount |
|----------------------|--------------|

Certifications

| | |
|--|--|
| | CE Marked IEC 61010-1, CAN/CSA C22.2 61010-1, CENELEC EN 61326-1 FCC Part 15 Class B Device |
|--|--|



89 NORTH™

1 Mill St., Unit 285
Burlington, VT 05401 USA

toll free 1.877.417.8313
main +1.802.881.0302
fax +1.802.881.0308

sales@89north.com
www.89north.com



All specifications are subject to change.
Please recycle this document when finished.

